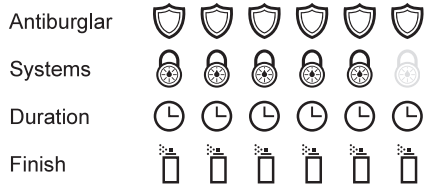


# SCUDO 9000

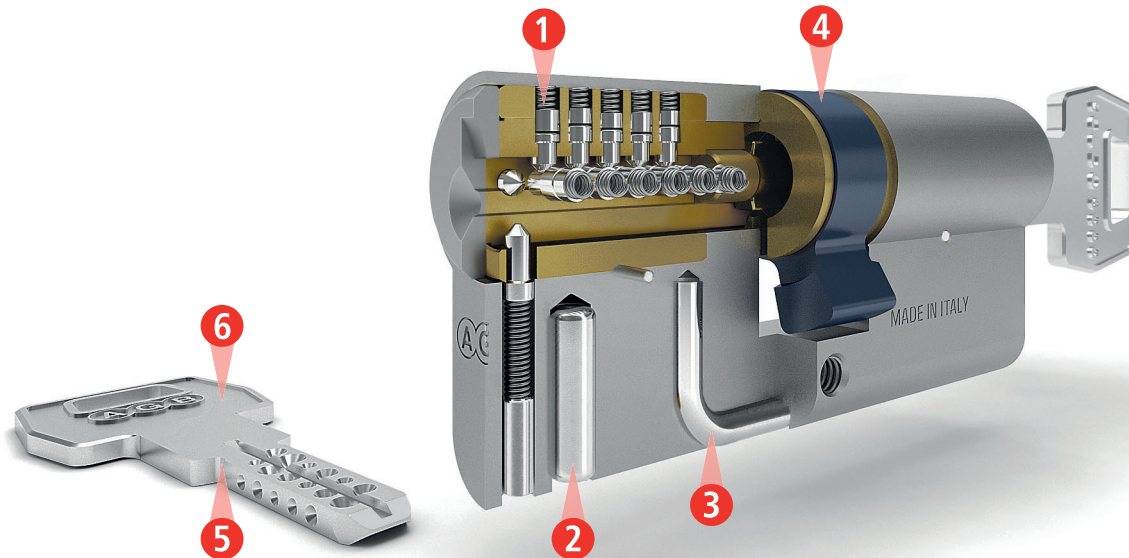
Security cylinder with anti-intrusion element



Cylinder classification - summary table on page 22

UNI EN 1303:2015 - ICIM 0039CS							
1	6	0	B	0	C	6	D

ANTI-PICKING: Pass



- 17 active pins and counterpins in stainless steel. ①
- Anti-drill pin in steel. ②
- Stainless steel reinforced element to prevent extraction of elements in case of damage due to break-in attempts. ③
- Anti-pull cam in sintered steel. ④
- 5 resistant flat reversible keys. ⑤
- Possibility to personalise the grip with many different coloured covers. ⑥
- Card with duplication code.
- Suitable for fire and smoke resistant doors.