

1... 2... TRIMAX

New range of hinges for wooden frames

1 Model 118



2 3D-matic



3 TRIMAX



- Three $\varnothing 14$ hinges with unique drilling for a standard assembly on external windows with swinging opening of 1-2-3-4 sashes.
- Trio especially designed to make the managing of the automatic drilling and assembly easier.

1 ... 2 ... TRIMAX - New range of hinges for wooden frames

Model 118 \varnothing 14



From the traditional hinge for wooden frames with 2 pins, Model 118, a new concept with extended pins in order to screw down the hinge more in the heart of the jamb. It is available on request even the model for Vasistas opening.

Length of the pin of 46 mm.

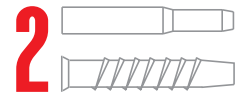


First part of the pin is not threaded to make the installation easier on doors and windows with gasket on the rebate of the sash.



Covers available in different finishes and material for Model 118.

3D-matic \varnothing 14



Keeps all the appreciated technical characteristics of the 3D hinge. The new version of the 3D is designed for automatic hinge assembly machines, which drill with the same pin for both 2 pins and 4 pins hinges.

The axis of the central smooth pins are the same of the Model 118 pins. Allows the easy and rapid replacement on building yard of the 2 pins hinge with the one of 4 pins, thanks to the specially designed jig.



Certified product according to the regulation EN 1935:2002 and CE marked.

Threaded and smooth pins designed for a unified drilling of \varnothing 7,2 mm with Model 118 of 46 mm and Trimax.

- ① Vertical adjustment
- ② Pressure adjustment
- ③ Horizontal Adjustment



Covers available in different finishes and materials for 3D-matic.

TRIMAX $\varnothing 14$

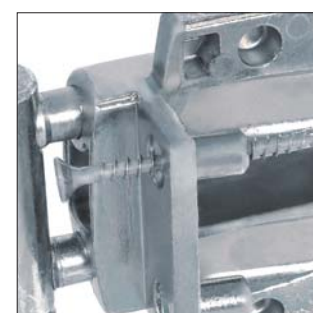


Is the innovative adjustable hinge for external window and doors of 3 and 4 sashes designed by AGB and derived from the already well-known 3D. The drilling of the rebate in the second and third sash are therefore identical of the 3D ones, allowing a easy managing of the windows and doors on the automatic machines.

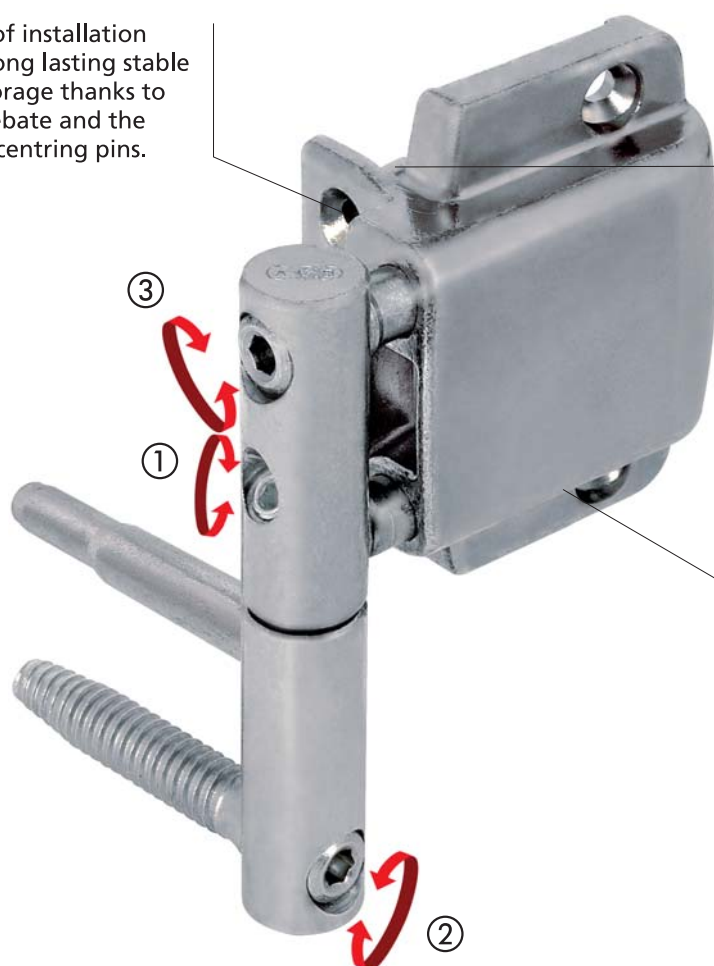
Trimax harpoons the sash by means of 4 inclined screws for a great loading capacity.

The hinge is designed for minimum distance between the rebates of 4 mm. The ideal gap is 5-6 mm.

Ease of installation and long lasting stable anchorage thanks to the rebate and the auto-centring pins.



Auto-centering pins with through hole for avoing the cracking.



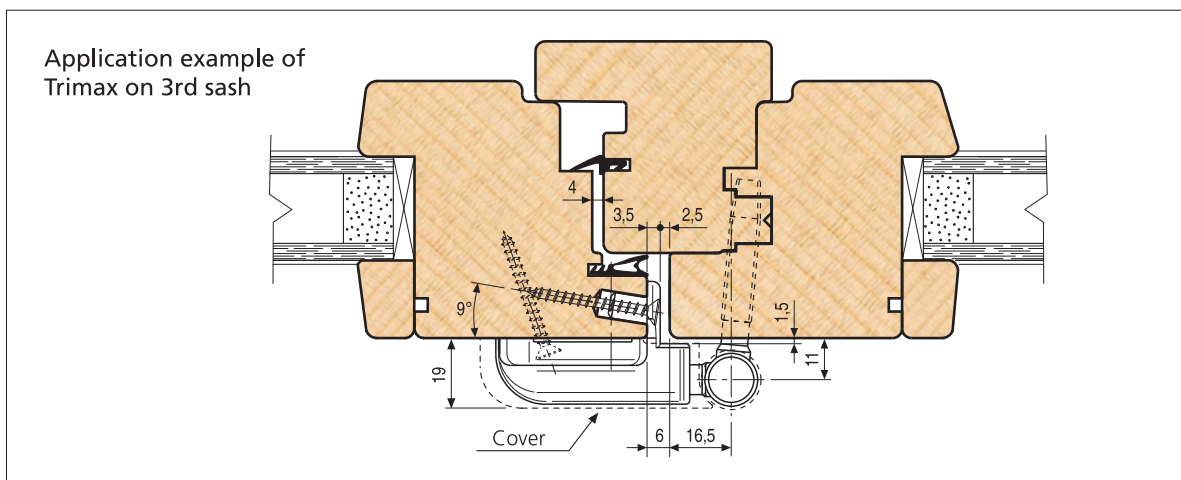
Aesthetics cured in the details in order to use the hinge even without the covers.

- ① 4 mm Vertical adjustment
- ② Pressure adjustment
- ③ ± 3 mm horizontal adjustment



Covers available in different finishes for Trimax model.

1 ... 2 ... TRIMAX - New range of hinges for wooden frames



Covers

Are available in different finishes for an aesthetic result coordinated with the other elements of the window.



Chargers for automatic machines

Are available on request on charger for both 4 pins and 2 pins hinges.

