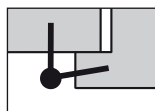
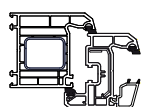


# CARTESIO

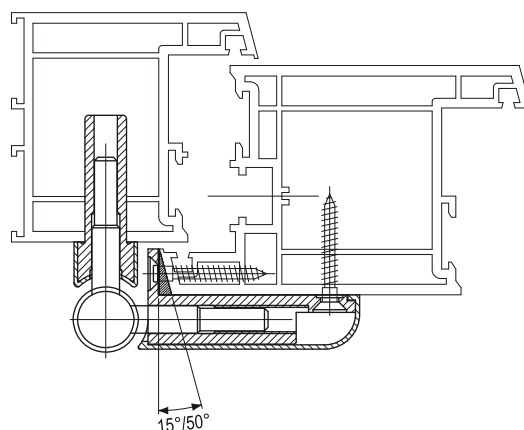
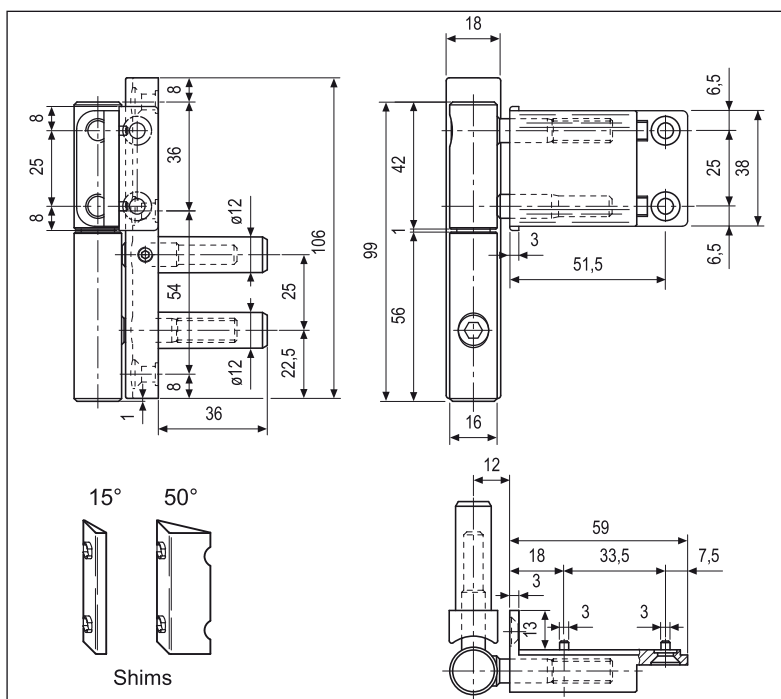


### Description

Adjustable hinge made of galvanised steel, 16 mm diameter, fitted with sturdy 12 mm supporting pins, M8x1 adjusting pin and adjustment lock dowel on the male body.

**Adjustments:** three-dimensional adjustment possible (horizontal, vertical and depth) using a 5 mm Allen wrench.

- ❶ Horizontal adjustment: 6 mm, through the special dowel fitted in the female body (to hold the sash perfectly plumb).
- ❷ Depth adjustment: 5 mm, through the special dowel fitted in the male body (to apply the proper pressure to the gasket).
- ❸ Vertical adjustment: 6 mm. The thrust is applied through two steel pivots and one brass bush, ensuring easy adjustment of any sash, including heavy ones.



### Available covers

	<p><b>ABS:</b> Art. E01155 per <math>\varnothing 16</math> mm</p>
--	---

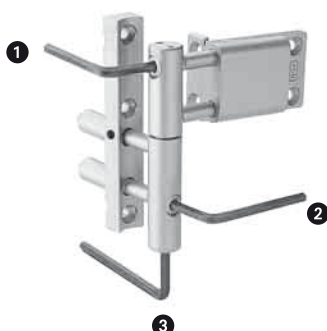
### Order specifications

Material	Article
<b>STEEL</b>	E00155.16.XX

### Order specifications - Compensating shims

Material	Article
<b>NYLON</b>	E01158.15.XX
	E01158.50.XX

**NB.** Refer to the price list in force to check the availability of the finishes.



### INSTALLATION TOOLS ("Jigs" chapter)

- Guide tool box article code E01500.00.05
- Single jig for frame drilling article code E01500.00.06
- Single jig for sash drilling article code E01500.00.07